



DC COMICS
**SUPER
HEROES**

30446



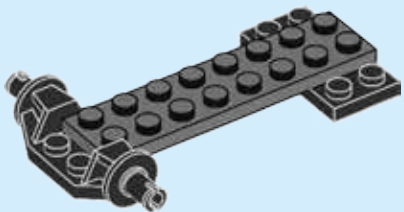
6151706

LEGO.com/DCSuperHeroes

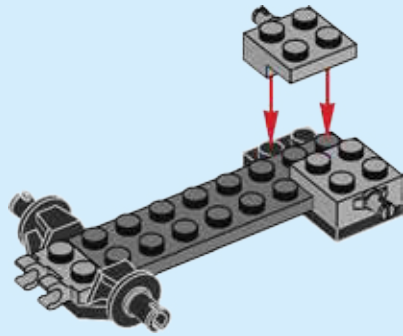
1



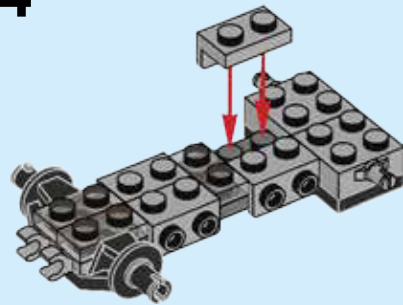
2



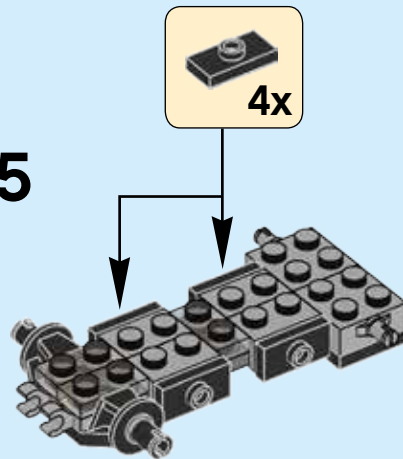
3



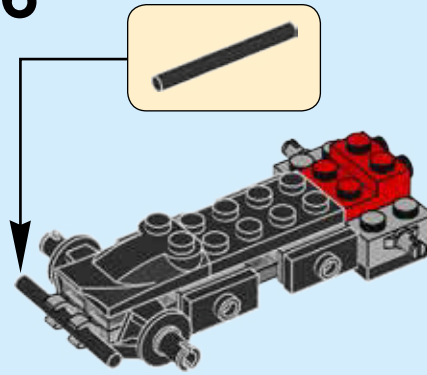
4



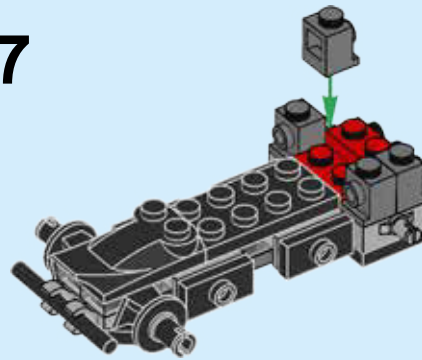
5



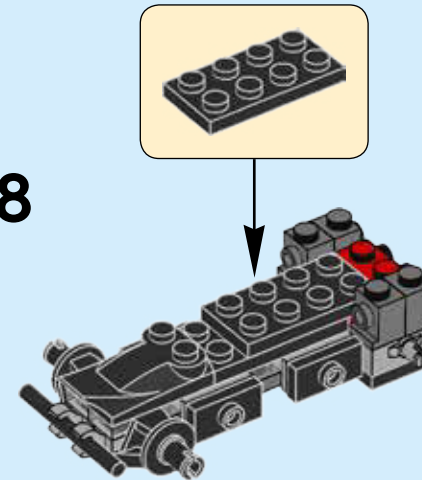
6



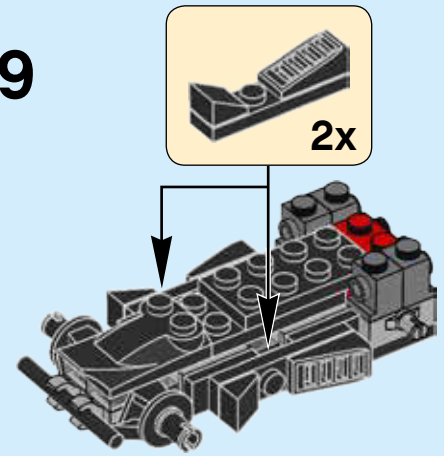
7



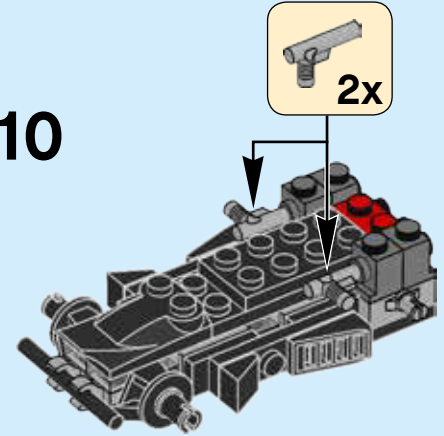
8



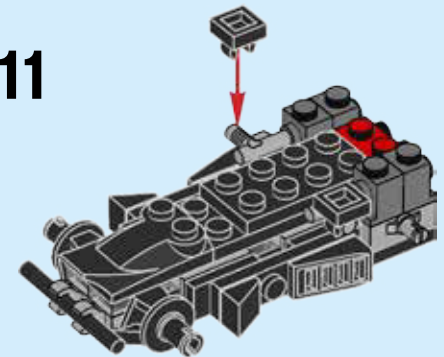
9



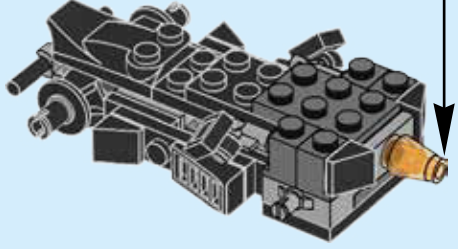
10



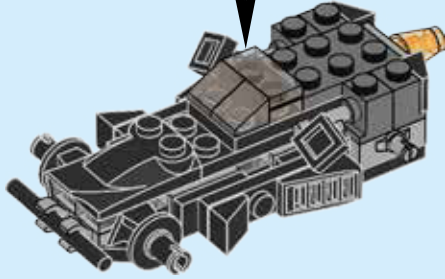
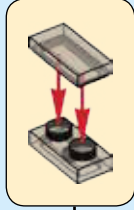
11



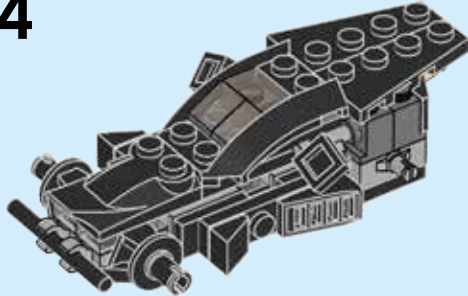
12



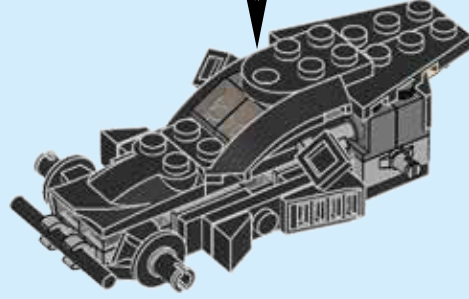
13



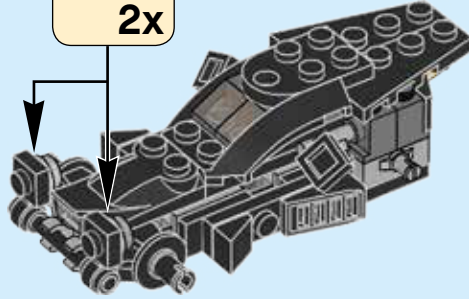
14



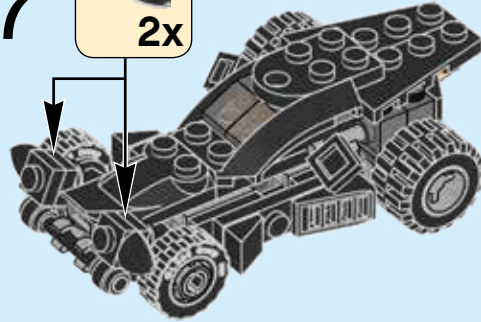
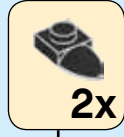
15



16



17



LEGO.com/service

LEGO and the LEGO logo are trademarks of the LEGO Group. ©2016 The LEGO Group. 6151706

BATMAN V SUPERMAN: DAWN OF JUSTICE and all related characters and elements © & TM DC Comics, and Warner Bros. Entertainment Inc.

WB SHIELD: TM & © WBEL (S16)

